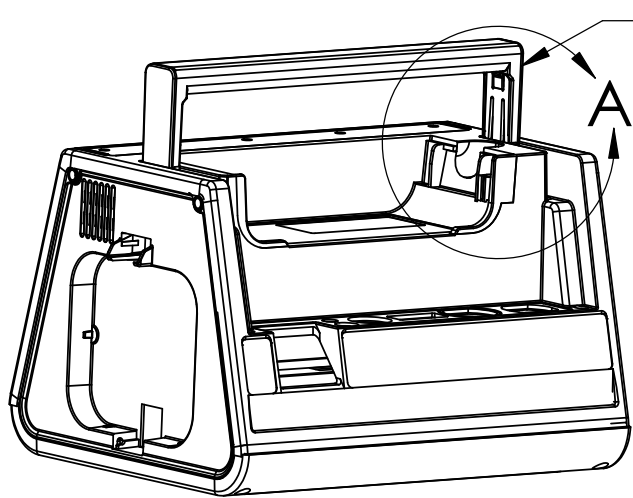
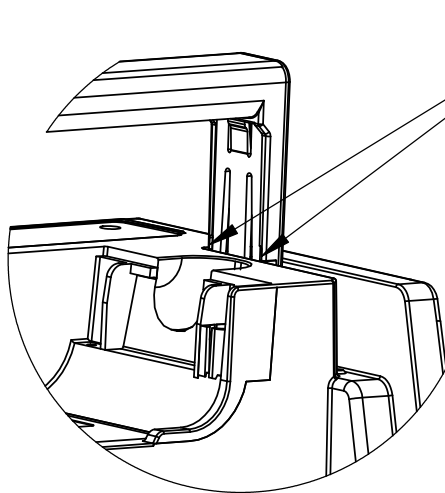


M SERIES HANDLE UPGRADE INSTRUCTIONS



REMOVE AND DISCARD HANDLE FROM UNIT.
SEE DETAIL A.

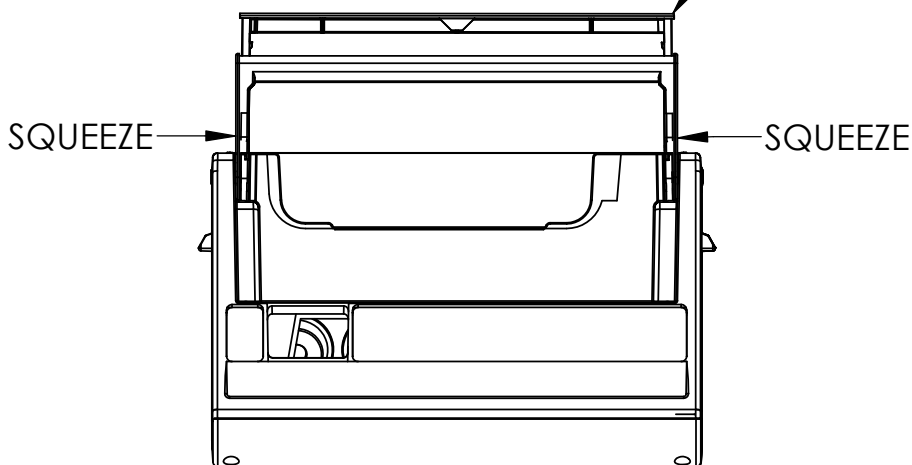
TOOLS REQUIRED FOR UPGRADE:
THIN TIPPED LONG NOSE PLIERS
(6" OVERALL LENGTH RECOMMENDED).



SQUEEZE INSERT LATCHES
INWARD WITH NEEDLE NOSE
PLIERS AND PULL UP ON PLIERS
TO RELEASE LATCHES FROM HANDLE.
RELEASE LATCHES ON BOTH SIDES
OF HANDLE, THEN REMOVE INSERT
FROM HANDLE COMPLETELY.

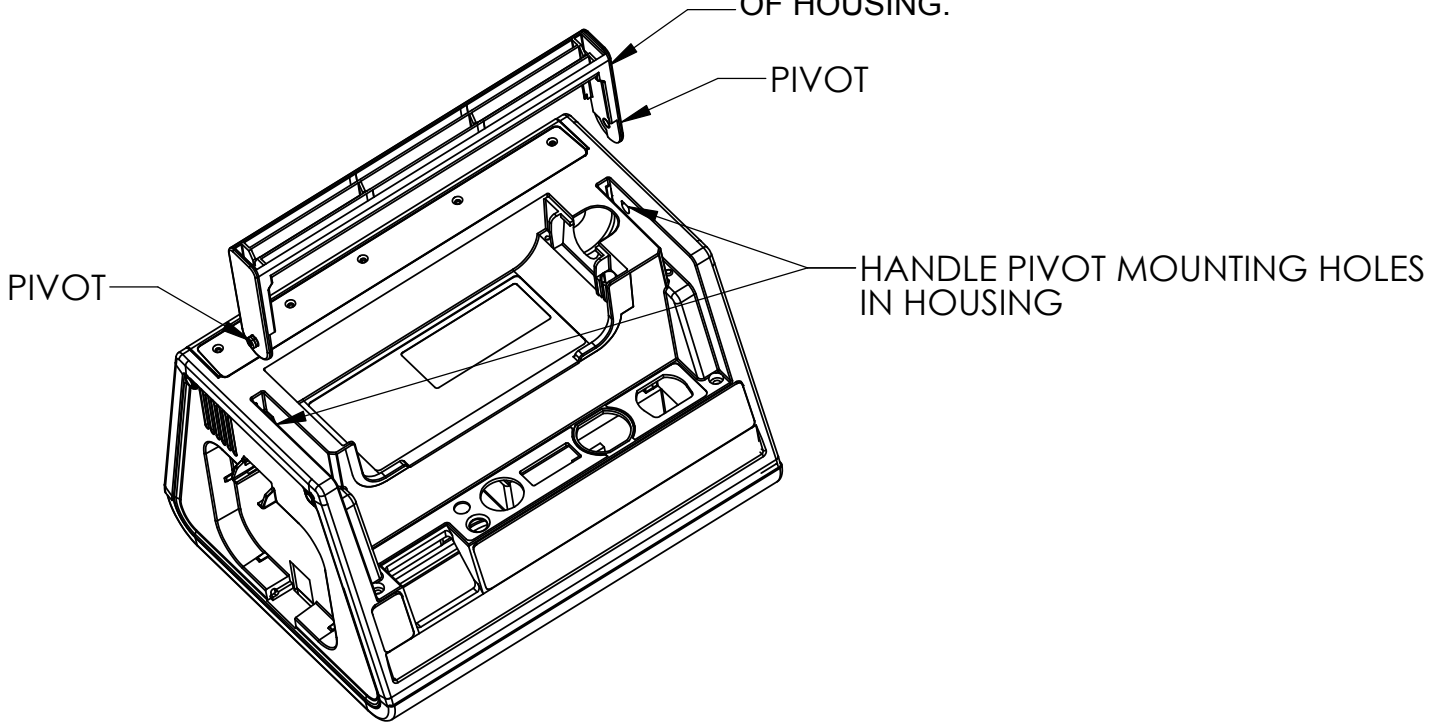
DETAIL A

PRY HANDLE INSERT UP AND OUT.
SQUEEZE HANDLE UPRIGHTS INWARD
AND REMOVE HANDLE FROM UNIT.



M SERIES HANDLE UPGRADE INSTRUCTIONS

INSTALL NEW HANDLE INTO HOUSING.
BE SURE THAT PIVOTS SNAP INTO HOLES
OF HOUSING.



INSTALL NEW INSERT INTO HANDLE.
PRESS INSERT INTO HANDLE UNTIL
THE LATCHES "SNAP" INTO PLACE.

